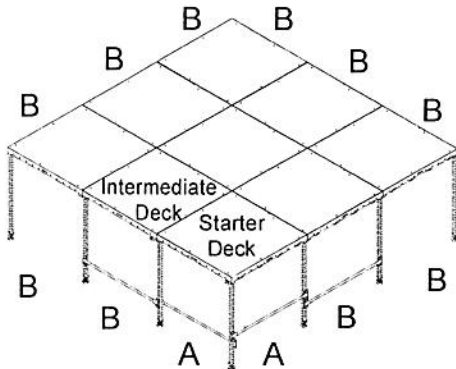


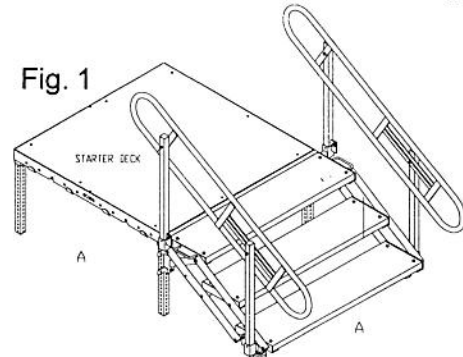
Signature Stage

PARALLELOGRAM STAIR INSTRUCTIONS



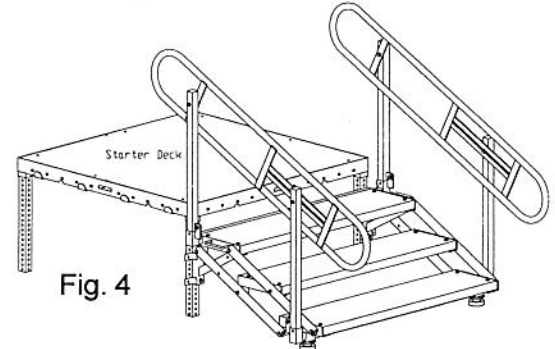
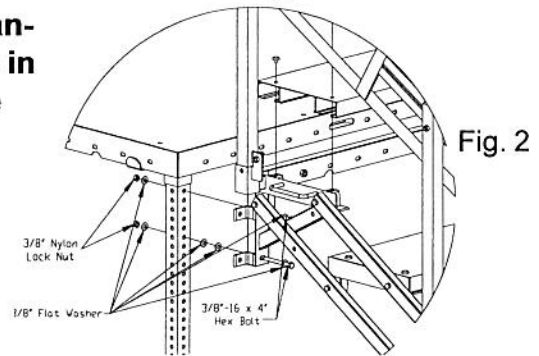
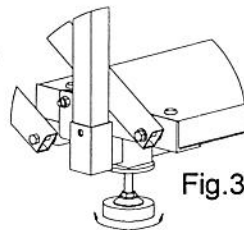
Four Possible Mounting Scenarios

1) Flush Mount - Starter Deck "A" Location (Fig.1)



(A) Insert 3/8" x 4" hex bolt through top slots in rectangular tube. Be sure to use 3/8" flat washer as shown in Fig. 2. Insert same length bolt into bottom slot. Place washers between stair and stage leg (Fig.2).

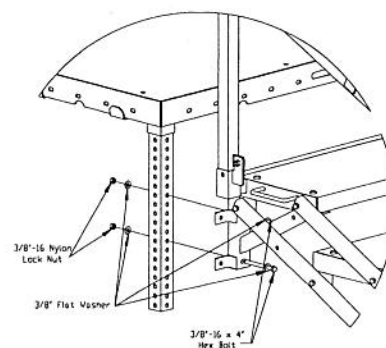
(B) Adjust foot to make step height uniform (Fig.3).



2) Drop Step - Starter Deck "A" Location (Fig.4)
-Lower step to desired step height (code is 4"-7").

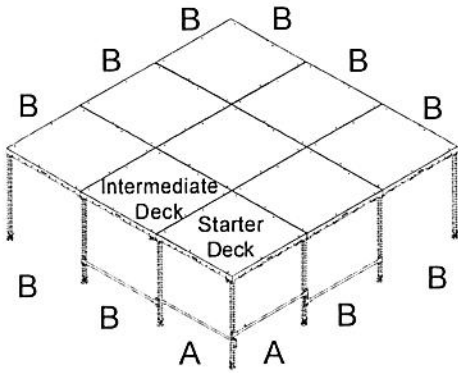
(A) Insert 3/8" x 4" hex bolt through top and bottom slots of stairs. Be sure to use 3/8" flat washer as shown. Top and bottom slots will have same washer configuration (Fig. 5).

(B) Adjust foot to make step height uniform (Fig.3).



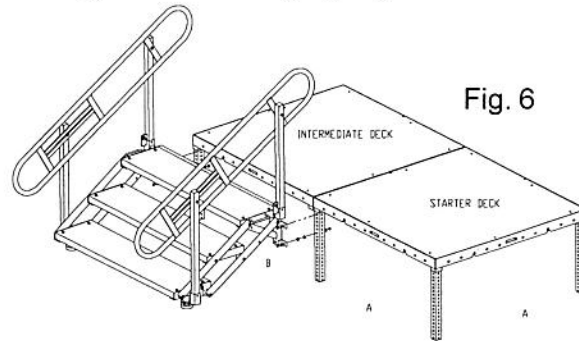
Granite Industries

ph: 419-445-4733 • toll free: 877-4GRANITE • fax: 419-445-3304
 595 E. Lugbill Road • P.O. Box 408 • Archbold, OH 43502 • e-mail: info@graniteind.com

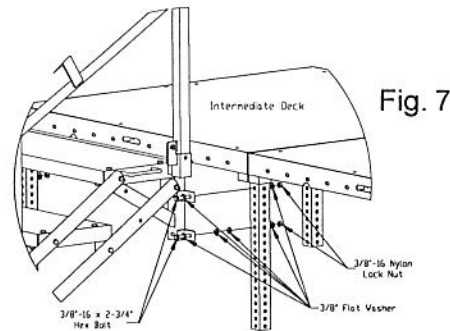


3) Flush Mount - Intermediate Deck "B" Location (Fig.6)

(A) When attaching the stage at any intermediate deck (B location), the stair must be centered on the stage deck that it is being attached to (Fig. 6).

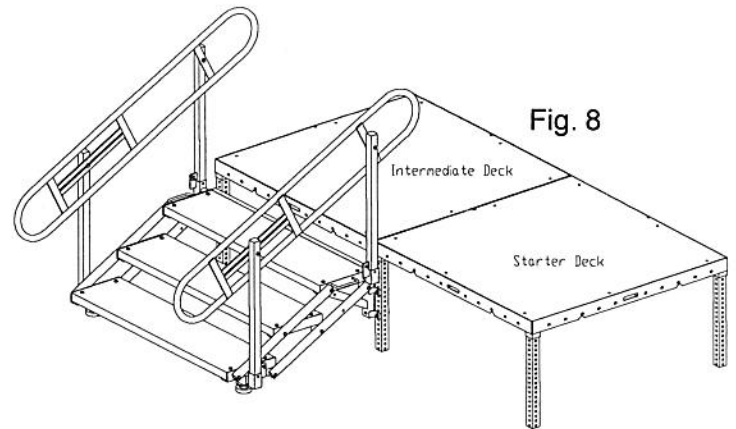


(B) Insert 3/8" x 4" hex bolt through the top slots in the rectangular tube, same as before. On the side where there is not a leg behind the rectangular tube, use the holes in the angle. Insert 3/8"- 2-3/4" bolts through the hole in the angles, using washers as shown in Fig. 7.



4) Drop Step - Intermediate Deck "B" Location (Fig.8)

-Lower step to desired step height (code is 4"-7").



(A) Insert a 3/8" x 4" hex bolt through the top slot in the rectangular tube using washers as shown in Fig.5.

(B) Insert a 3/8"- 2-3/4" bolt through the hole in the angles, using washers as shown if Fig. 9.

